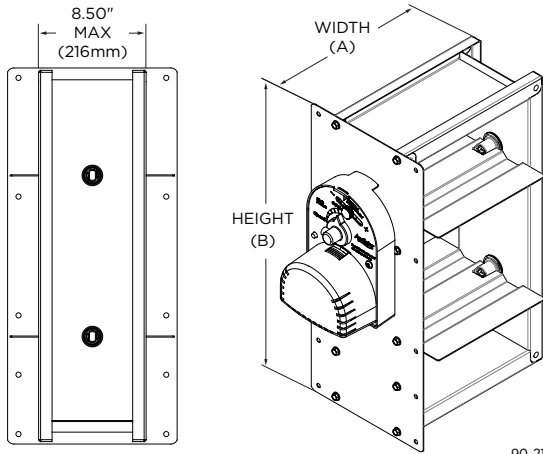




Rectangular Zoned Comfort Control Dampers

SUBMITTAL SHEET



90-2127

Project: _____
 Architect: _____
 Contractor: _____
 Suppliers: _____
 Dealer: _____
 Engineer: _____
 Location: _____
 Date: _____

SIZES (Inches):

Rectangular Dampers Stock No. & Weight		Nominal Width (A)											
		8" (203 mm)	10" (254 mm)	12" (305 mm)	14" (356 mm)	16" (406 mm)	18" (457 mm)	20" (508 mm)	22" (559 mm)	24" (610 mm)	26" (660 mm)	28" (711 mm)	30" (762 mm)
Side Mount	8" (203 mm)	6721 - 5 lb	6722 - 5 lb	6723 - 5 lb	6724 - 6 lb	6725 - 6 lb	6726 - 6 lb	6727 - 6 lb	6728 - 6 lb	6729 - 6 lb	6730 - 6 lb	6731 - 6 lb	6753 - 6 lb
	10" (254 mm)	—	6732 - 6 lb	6733 - 6 lb	6734 - 7 lb	6735 - 7 lb	6736 - 9 lb	6737 - 9 lb	6738 - 9 lb	6739 - 9 lb	6740 - 9 lb	6741 - 9 lb	6742 - 9 lb
	12" (305 mm)	—	—	6743 - 7 lb	6744 - 8 lb	6745 - 8 lb	6746 - 9 lb	6747 - 10 lb	6748 - 10 lb	6749 - 11 lb	6750 - 25 lb	6751 - 26 lb	6752 - 27 lb
	14" (356 mm)	—	—	—	6754 - 8 lb	6755 - 9 lb	6756 - 11 lb	6757 - 11 lb	6758 - 12 lb	6759 - 12 lb	6760 - 28 lb	6761 - 29 lb	6762 - 31 lb
	16" (406 mm)	—	—	—	—	6763 - 10 lb	6764 - 24 lb	6765 - 26 lb	6766 - 27 lb	6767 - 29 lb	6768 - 31 lb	6769 - 33 lb	6770 - 34 lb
	18" (457 mm)	—	—	—	—	—	6771 - 26 lb	6772 - 28 lb	6773 - 30 lb	6774 - 32 lb	6775 - 34 lb	6776 - 36 lb	6777 - 38 lb
	20" (508 mm)	—	—	—	—	—	—	6778 - 31 lb	6779 - 33 lb	6780 - 35 lb	6781 - 37 lb	6782 - 40 lb	6783 - 42 lb
	22" (559 mm)	—	—	—	—	—	—	—	6784 - 36 lb	6785 - 38 lb	6786 - 41 lb	6787 - 43 lb	6788 - 45 lb
	24" (610 mm)	—	—	—	—	—	—	—	—	6789 - 41 lb	6790 - 44 lb	6791 - 46 lb	6792 - 49 lb
	26" (660 mm)	—	—	—	—	—	—	—	—	—	6793 - 47 lb	6794 - 50 lb	6795 - 53 lb
	28" (711 mm)	—	—	—	—	—	—	—	—	—	—	6796 - 53 lb	6797 - 56 lb
	30" (762 mm)	—	—	—	—	—	—	—	—	—	—	—	6798 - 60 lb
Bottom Mount	8" (203 mm)	6721 - 5 lb	6812 - 6 lb	6813 - 6 lb	6814 - 7 lb	6815 - 8 lb	6816 - 9 lb	6817 - 9 lb	6818 - 9 lb	6819 - 10 lb	—	—	—
	10" (254 mm)	—	6732 - 6 lb	6823 - 7 lb	6824 - 7 lb	6825 - 8 lb	6826 - 9 lb	6827 - 10 lb	6828 - 10 lb	6829 - 10 lb	—	—	—
	12" (305 mm)	—	—	6743 - 7 lb	6834 - 7 lb	6835 - 9 lb	6836 - 10 lb	6837 - 10 lb	6838 - 10 lb	6839 - 10 lb	—	—	—

NOTES:

Applications: Compatible with Aprilaire® Zoned Comfort Control system. Dampers are designed to work in low pressure systems (less than 1.0" w.c.).

Electrical Ratings: Two wire; power closed/spring open; 24 VAC 6W, 60Hz synchronous type motor, 10VA, impedance protected for continuous stall capability without electrical or mechanical damage. Damper comes with motor mounted.

Actual height in undercut 3/16"; **Actual width** is undercut 1/8". Shaded Models—**Actual height & width** is undercut 1/4".

The submittal is intended to show general, overall product dimensions and provide guidance for installation clearance. Drawings are not to scale. Ensure submittals are current. Research Products reserves the rights to make product change without notifications or obligations.