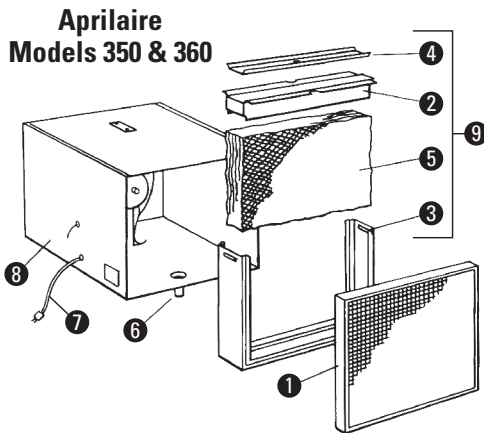
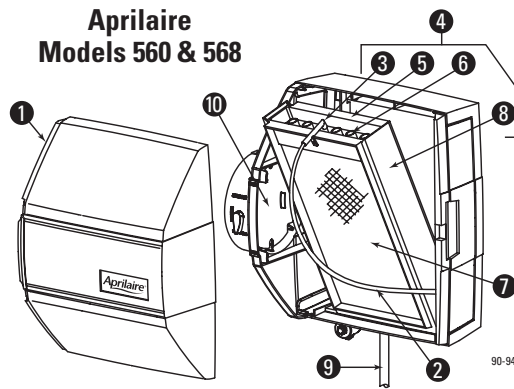


⚠ WARNING

120 Volts may cause serious injury from electrical shock. Disconnect power and shut off water supply before servicing.

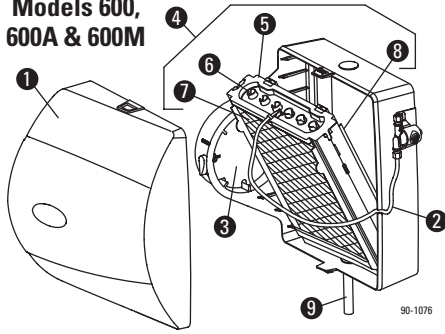


1. Note manual humidifier control setting and turn dial to the "OFF" position.
2. Disconnect electrical power (7) and turn off water supply.
3. Remove inlet grille (1) screws. Remove grille from housing (8).
4. Lift the complete plastic framed evaporative section (9) out of the humidifier housing.
5. Unsnap the distribution tray (2) from the scale control insert (3). Follow the instructions below depending upon the type of distribution tray in your humidifier. Gently pry the distribution tray cover (4) from the tray.
For trays with a synthetic fabric liner: Lightly scrape out or brush off any mineral deposits, being careful not to stretch or loosen the synthetic fabric liner. Soaking the tray in vinegar or a lime-removing agent is helpful when trying to remove stubborn mineral deposits.
For trays with granular coating: Do not scrape off the granular coating, but lightly scrape out any mineral deposits and clean the "V" notches. This textured surface helps ensure even water flow for maximum performance. If the granular coating has been removed, place several drops of liquid dishwashing soap on the distribution tray. This will only need to be done once if there is no granular coating.
6. Remove the Water Panel evaporator (5) from the scale control insert (3). Clean the scale control insert of mineral deposits. Install the new Water Panel evaporator. Snap plastic cover (4) into tray and tray into scale control insert.
7. Inspect plastic feed tube by gently flexing it and looking for cracks or signs of wear. Replace tube if it is cracked, brittle, or has been damaged.
8. Remove the drain line from the bottom of the humidifier. If applicable, flex it to loosen any mineral deposits or blockages. Then flush it with water under pressure. If it does not properly clear, replace it. Slip drain line back onto the drain fitting (6). Make sure the drain line has a constant downward slope and is not flattened or blocked.
9. Reinstall complete plastic framed evaporative section (9) and inlet grille (1).
10. Reconnect electrical power (7).
11. Turn on water supply.
12. Turn up manual humidifier control and check system operation.
13. Set manual humidifier control to its original position.



1. Note Humidifier Control setting and turn dial to the "OFF" position.
2. Turn off water supply. Move the integral bypass damper (10), if present, to the SUMMER position.
3. At the side of the humidifier opposite the bypass duct, pull front cover (1) off holding with both hands and set aside.
4. Carefully pull the feed tube (2) out of the nozzle (3) at the top of the evaporative assembly (4). Pull this assembly out by grasping at top and tipping out.
5. Remove the distribution tray (5) from the Water Panel evaporator assembly (4) by unsnapping the plastic ends of the scale control insert (8), from the tabs at the end of the tray. Follow the instructions below depending upon the type of distribution tray in your humidifier.
For trays with a synthetic fabric liner: Lightly scrape out or brush off any mineral deposits, being careful not to stretch or loosen the synthetic fabric liner. Soaking the tray in vinegar or a lime-removing agent is helpful when trying to remove stubborn mineral deposits.
For trays with granular coating: Do not scrape off the granular coating, but lightly scrape out any mineral deposits and clean the "V" notches (6). This textured surface helps ensure even water flow for maximum performance. If the granular coating has been removed, place several drops of liquid dishwashing soap on the distribution tray. This will only need to be done once if there is no granular coating.
6. Slide the Water Panel evaporator (7) out of the scale control insert (8). Clean the scale control insert of mineral deposits. Slide the new Water Panel evaporator into the scale control insert with the colored spot up and snap the distribution tray (5) back into place.
7. Inspect feed tube (plastic only) by gently flexing it and looking for cracks or signs of wear. Replace tube if it is cracked, brittle, or has been damaged.
8. Reinstall the Water Panel evaporator assembly (4) into the humidifier by fitting its drain into the round receptacle at the base of the humidifier. Push the assembly in at the top against the beveled tabs that will hold it in place. Push the end of the feed tube (2) firmly back into the nozzle (3) and replace the front cover (1).
9. Remove the drain line (9) from the bottom of the humidifier. If applicable, flex it to loosen any mineral deposits or blockages. Then flush it with water under pressure. If it does not properly clear, replace it. Slip drain line back onto the drain fitting. Make sure the drain line has a constant downward slope and is not flattened or blocked.
10. Turn on the water supply. Return integral bypass damper (10), if present, to appropriate position.
11. Check system operation:
Manual Humidifier Control: With the furnace blower operating, turn up manual humidifier control and check system operation.
Automatic Humidifier Control: (Automatic or Manual mode) Check system operation by turning the knob to "Test". With furnace blower operating, humidifier will operate for one minute. DO NOT LEAVE IN TEST MODE AS HUMIDIFIER WILL NOT OPERATE. For Controls with Change Water Panel indicator light, turning knob to "Test/Reset" will reset Change Water Panel indicator.
12. Set Humidifier Control to its original position.

Aprilaire Models 600, 600A & 600M

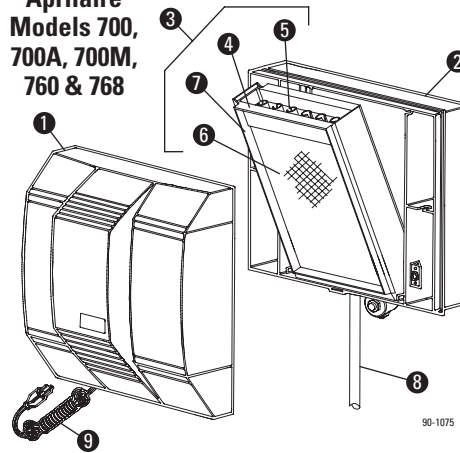


- Note Humidifier Control setting and turn dial to the "OFF" position.
- Turn off water supply. Move the integral bypass damper (3) to the SUMMER position.
- Press the tabs on the top and bottom of front cover (1) and pull cover off base with both hands. Set aside.
- Pull the plastic feed tube (2) out of the distribution tray (5) at the top of the Water Panel evaporator assembly (4). Pull this assembly out by grasping at top and tipping out.
- Unsnap the distribution tray (5) from the scale control insert (8). Follow the instructions below depending upon the type of distribution tray in your humidifier:
 - For trays with a synthetic fabric liner:** Lightly scrape out or brush off any mineral deposits, being careful not to stretch or loosen the synthetic fabric liner. Soaking the tray in vinegar or a lime-removing agent is helpful when trying to remove stubborn mineral deposits.
 - For trays with granular coating: Do not scrape off the granular coating,** but lightly scrape out any mineral deposits and clean the "V" notches (6). This textured surface helps ensure even water flow for maximum performance. If the granular coating has been removed, place several drops of liquid dishwashing soap on the distribution tray. This will only need to be done once if there is no granular coating.
- Slide the Water Panel evaporator (7) out of the scale control insert (8). Clean the scale control insert of mineral deposits. Slide the new Water Panel evaporator into the scale control insert with the colored spot up and snap the distribution tray (5) back into place.
- Inspect the plastic feed tube (2) by gently flexing it and looking for cracks or signs of wear. Replace tube if it is cracked, brittle, or has been damaged.
- Reinstall the Water Panel evaporator assembly (4) into the humidifier by fitting its drain into the round receptacle at the base of the humidifier. Push the assembly in at the top until it snaps into place. Push the end of the feed tube (2) firmly back into the distribution tray (5) and replace the front cover (1).
- Remove the drain line (9) from the bottom of the humidifier. If applicable, flex it to loosen any mineral deposits or blockages. Then flush it with water under pressure. If it does not properly clear, replace it. Slip drain line back onto the drain fitting. Make sure the drain line has a constant downward slope and is not flattened or blocked.
- Turn on the water supply. Return integral bypass damper (3) to appropriate position.
- Check system operation:

Automatic Humidifier Control: (Automatic or Manual mode)
Check system operation by turning the knob to "Test". With furnace blower operating, humidifier will operate for one minute. **DO NOT LEAVE IN TEST MODE AS HUMIDIFIER WILL NOT OPERATE.** For Controls with Change Water Panel indicator light, turning knob to "Test/Reset" will reset Change Water Panel indicator.

- Set Humidifier Control to its original position.

Aprilaire Models 700, 700A, 700M, 760 & 768



- Note Humidifier Control setting and turn dial to the "OFF" position.
- Disconnect electrical power (9) and turn off water supply.
- Unlatch humidifier front cover assembly (1) from base assembly (2) at the bottom of the cover, lift, and set aside.
- Pull out the water panel evaporator assembly (3) by grasping at the top and tipping out.
- Unsnap the distribution tray (4) from the scale control insert (7). Follow the instructions below depending upon the type of distribution tray in your humidifier:
 - For trays with a synthetic fabric liner:** Lightly scrape out or brush off any mineral deposits, being careful not to stretch or loosen the synthetic fabric liner. Soaking the tray in vinegar or a lime-removing agent is helpful when trying to remove stubborn mineral deposits.
 - For trays with granular coating: Do not scrape off the granular coating,** but lightly scrape out any mineral deposits and clean the "V" notches (5). This textured surface helps ensure even water flow for maximum performance. If the granular coating has been removed, place several drops of liquid dishwashing soap on the distribution tray. This will only need to be done once if there is no granular coating.
- Slide the Water Panel evaporator (6) out from the scale control insert (7). Clean the scale control insert of mineral deposits. Slide the new Water Panel evaporator into the scale control insert with the colored spot up and snap the distribution tray (4) back into place.
- Inspect feed tube (plastic only) by gently flexing it and looking for cracks or signs of wear. Replace tube if it is cracked, brittle, or has been damaged.
- Reinstall the Water Panel evaporator assembly (3) into the humidifier by fitting its drain into the round receptacle at the base of the humidifier. Push the assembly in at the top between the retaining ribs that hold the assembly in place in a vertical position.
- Remove the drain line (8) from the bottom of the humidifier. If applicable, flex it to loosen any mineral deposits or blockage. Then flush it with water under pressure. If it does not clear, replace it. Slip drain line back onto the drain fitting. Make sure the drain line has a constant downward slope and is not flattened or blocked.
- Reinstall front cover assembly (1) by hooking at the top of the base assembly (2) and latching at the bottom.
- Reconnect electrical power (9) and turn on the water supply.
- Check system operation:

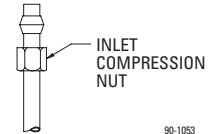
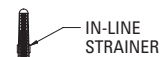
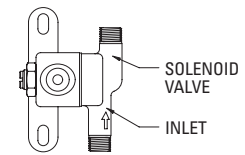
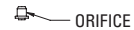
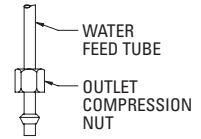
Automatic Humidifier Control: (Automatic or Manual mode)
Check system operation by turning the knob to "Test". With furnace blower operating, humidifier will operate for one minute. **DO NOT LEAVE IN TEST MODE AS HUMIDIFIER WILL NOT OPERATE.** For Controls with Change Water Panel indicator light, turning knob to "Test/Reset" will reset Change Water Panel indicator.

- Set Humidifier Control to its original position.

NOTE: The motor is permanently lubricated and does not need to be oiled.

Water Line Inspection and Service Instructions for All Models

The humidifier is equipped with an in-line water strainer. See the following instructions for strainer cleaning.



- Disconnect electrical power to the furnace and shut off water supply.
- Disconnect the water line at the inlet compression nut.
- Remove the in-line strainer from inside the inlet side of the valve by using a small nail or wire.
- Flush the in-line strainer clean or replace with a new strainer, Service Department, Part No. 4004.
- Reconnect the inlet water line. **Double Wrench to Prevent Leaking.**
- Disconnect the water feed tube at the outlet compression nut.
- Inspect the water feed tube (plastic only) by gently flexing it and looking for cracks or signs of wear. Replace tube if it is cracked, brittle, or has been damaged.
- Remove the orifice from the copper or plastic water feed tube and make sure this small opening is unplugged.
- Replace the orifice with Part No. 4232 (blue – Models 350, 360, 700, 700A, 700M, 760 and 768) or Part No. 4231 (yellow – Models 560, 568, 600, 600A and 600M) and reconnect the water feed tube. **Double Wrench to Prevent Leaking.**
- Turn on water supply and reconnect electrical power to the furnace.

Aprilaire

Feel Good. Inside.™