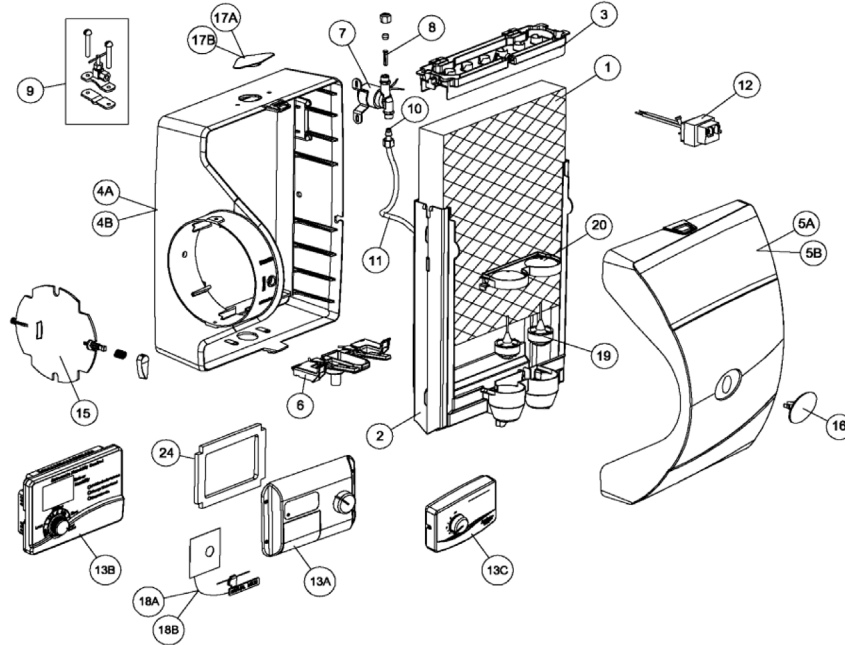


# Aprilaire®

Your Partners in Comfort®

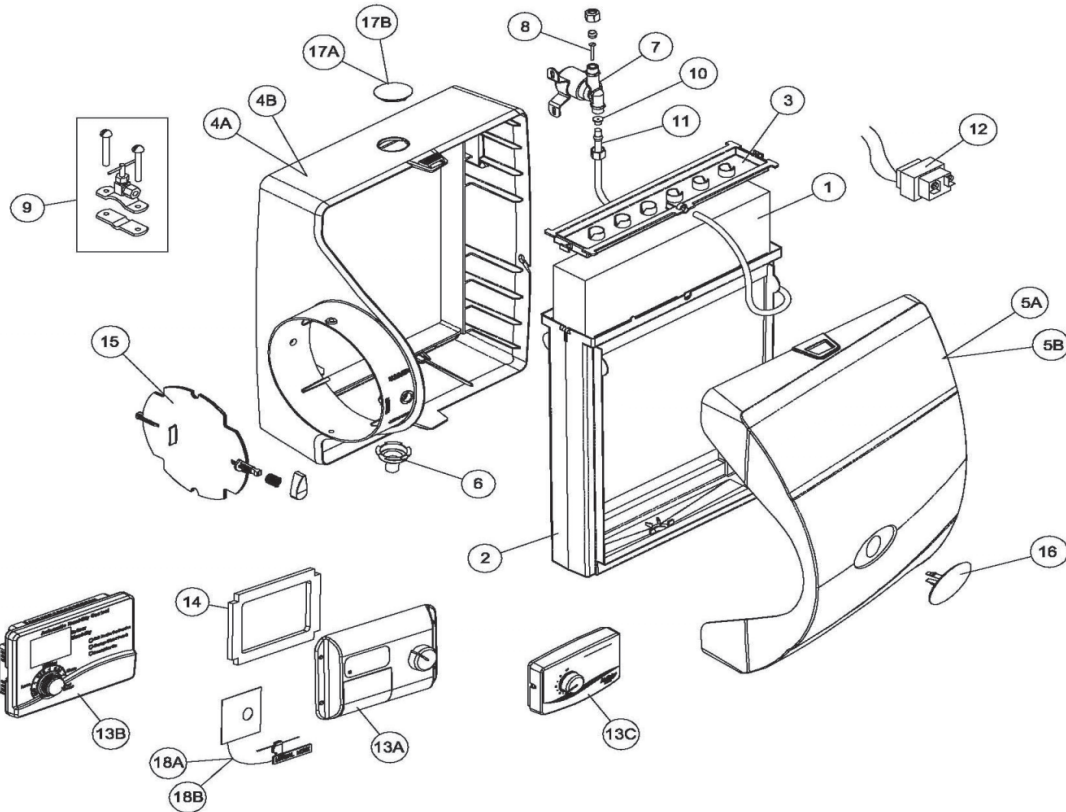
## Humidifiers Dealer Parts List

### Model 400/400M Humidifiers



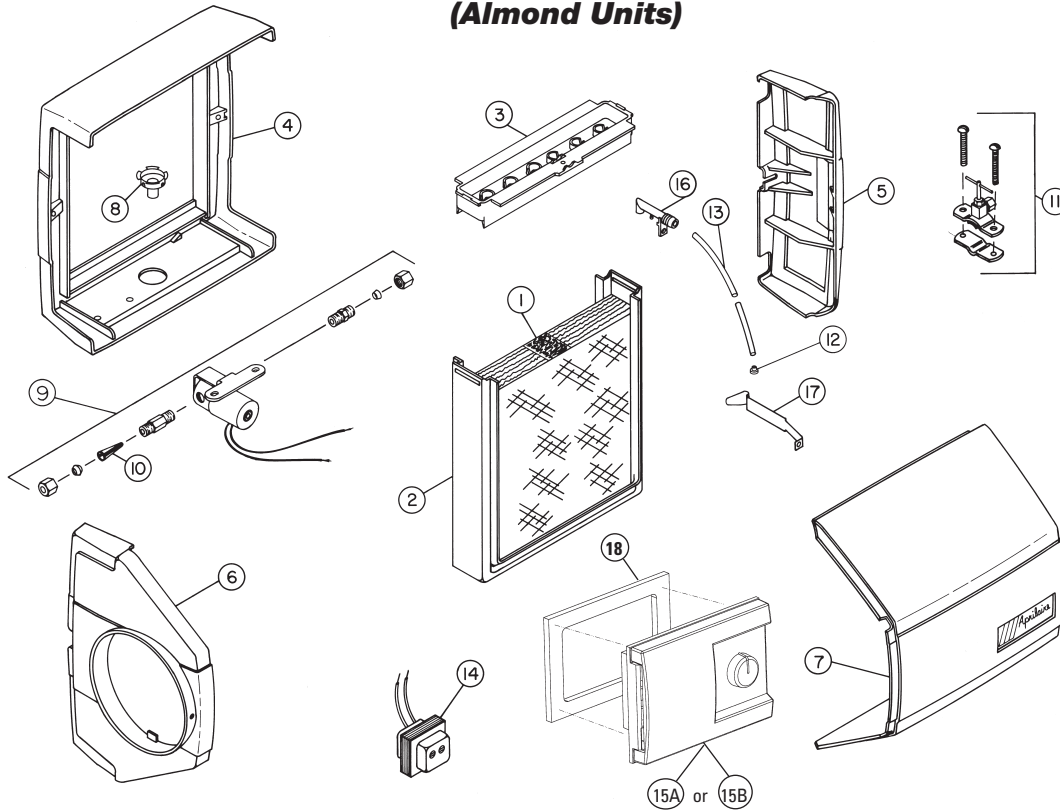
NO.	BLUE/GRAY UNITS - PART NAME	QTY/CTN	MODEL 400 PART NO.	MODEL 400M PART NO.
4B	Base (blue/gray)	1	4734	4734
5B	Cover (blue/gray)	1	4728	4728
13B	Automatic Digital Humidifier Control	1	60	N/A
16B	Name Plate (blue/gray)	1	4880	4880
17B	Hole Plug (blue/gray)	1	4741	4741
18B	Resistor Case & Manual Mode Label	1	4737	N/A
ALMOND UNITS - PART NAME		QTY/CTN	MODEL 400 PART NO.	MODEL 400M PART NO.
4A	Base (almond)	1	4404	N/A
5A	Cover (almond)	1	4329	N/A
13A	Automatic Humidifier Control	1	56	N/A
16A	Name Plate (almond)	1	4409	N/A
17A	Hole Plug (almond)	1	4408	N/A
18A	Resistor Case & Manual Mode Label	1	4336	N/A
COMMON PARTS		QTY/CTN	PART NO.	PART NO.
1	Water Panel Evaporator	10 (5-2 pks.)	45	45
2	Scale Control Insert w/Float Chamber	6	4403	4403
3	Water Distribution Tray	1	4407	4407
6	Water Level Sensor Assembly	1	4410	4410
7	Water Solenoid Valve (24 Volt)	1	4040	4040
8	In-line Strainer	12	4004	4004
9	Saddle Valve	1	4001	4001
10	Orifice (Yellow)	144 (12-12 pks.)	4231	4231
11	Feed Tube with Strainer, Orifice, Compression Sleeve and Nut	1	4335	4335
12	Transformer	1	4010	4010
15	Damper Assembly	1	4332	4332
19	Float Assembly	1	4406	4406
20	Float Cover	1	4405	4405
24	Automatic Humidifier Control Gasket	1	4305	N/A
OTHER		QTY/CTN	PART NO.	PART NO.
13C	Manual Humidifier Control	1	N/A	4655
	Outdoor Temperature Sensor	1	8052	N/A
	Current Sensing Relay	1	50	50
	Saddle Valve Adapter	6	4229	4229
	Shock Arrestor	1	4280	4280
	Maintenance Kits (includes parts 45 (2), 4004, 4403, 4406, 4407, 4335 and 4231)	1	4788	4788
	Blower Activation Relay	10	4851	4851

## Model 500/500M & 600/600M Humidifiers



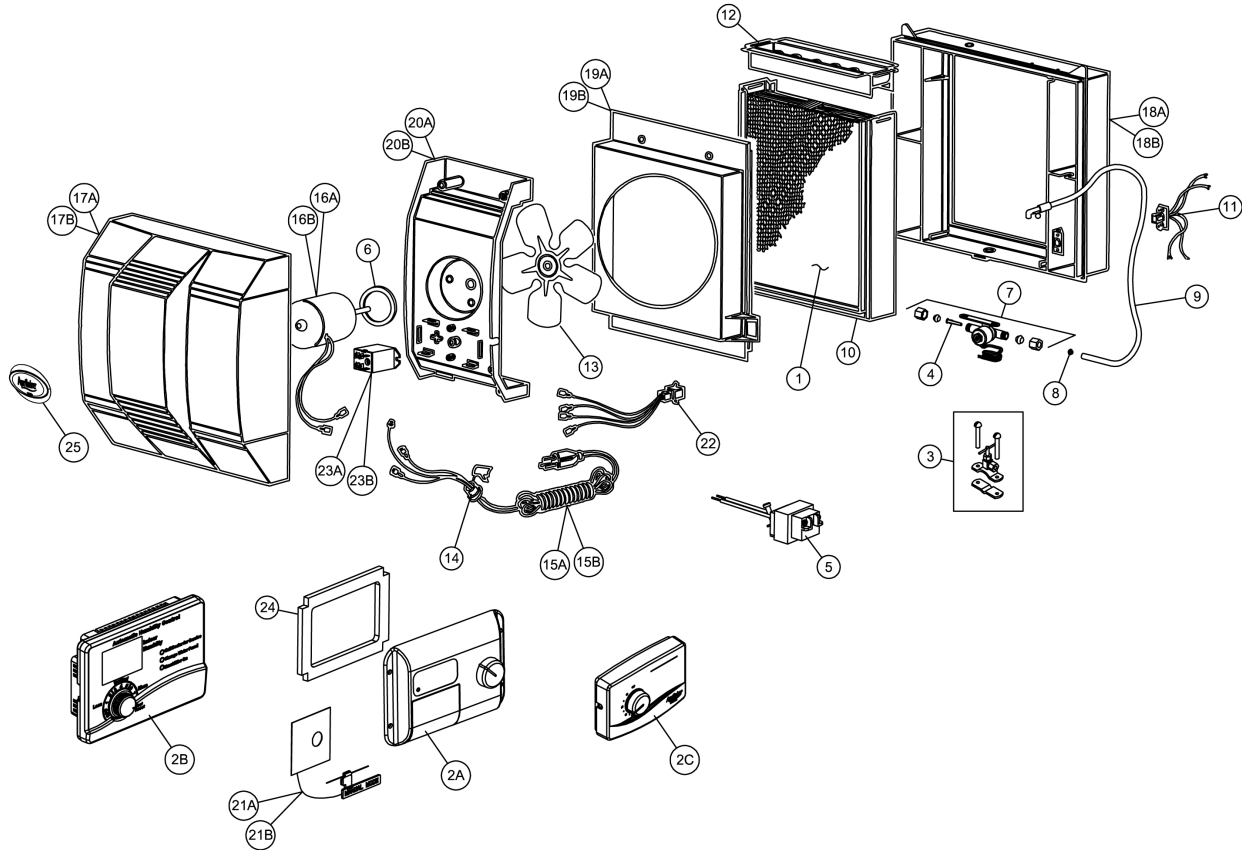
		MODEL 500, 500A & 500M		MODEL 600, 600A & 600M	
NO.	BLUE/GRAY UNITS - PART NAME	QTY/CTN	PART NO.		PART NO.
4B	Base (Blue/Gray)	1	4730		4731
5B	Cover (Blue/Gray)	1	4727		4728
13B	Automatic Digital Humidity Control	1	60		60
16B	Name Plate (Blue/Gray)	1	4881		4882
17B	Hole Plug (Blue/Gray)	1	4733		4733
18B	Resistor Case & Manual Mode Label	1	N/A		4737
		MODEL 500, 500A & 500M		MODEL 600, 600A & 600M	
NO.	ALMOND UNITS - PART NAME	QTY/CTN	PART NO.		PART NO.
4A	Base (Almond)	1	4641		4328
5A	Cover (Almond)	1	4642		4329
13A	Automatic Humidifier Control	1	56		56
16A	Name Plate (Almond)	1	4643		4333
17A	Hole Plug (Almond)		Obselete		
18A	Resistor Case & Manual Label	1	4336		4336
COMMON PARTS		QTY/CTN	PART NO.		PART NO.
1	Water Panel® Evaporator	10	10		35
2	Scale Control Insert	(4640-10) (4330-8)	4640		4330
3	Water Distribution Tray	1	4331		4331
6	Drain Spud	6	4223		4223
7	Water Solenoid Valve (24 Volt)	1	4040		4040
8	In-Line Strainer	12	4004		4004
9	Saddle Valve	1	4001		4001
10	Orifice (Yellow)	144 (12-12 pks.)	4231		4231
11	Feed Tube with Strainer, Orifice, Compression Sleeve and Nut	1	4335		4335
12	Transformer	1	4010		4010
14	Automatic Humidifier Control Gasket	1	N/A		4305
15	Damper Assembly	1	4332		4332
16	Name Plate	1	4643		4333
OTHER PARTS		QTY/CTN	PART NO.		PART NO.
13C	Manual Humidifier Control	1	4655		4655
	Outdoor Temperature Sensor (only available for automatic units)	1	8052		8052
	Current Sensing Relay	1	50		50
	Saddle Valve Adapter	6	4229		4229
	Shock Arrestor	1	4280		4280
	Maintenance Kits (includes parts 10, 4335, 4231, 4004, 4640, 4331 and 4223)	1	4792		N/A
	Maintenance Kits (includes parts 35, 4232, 4004, 4330, 4331 and 4223)	1	N/A		4839
	Blower Activation Relay	10	4851		4851

**Model 558, 550A, 550, 568, 560A, 560 Humidifiers  
(Almond Units)**



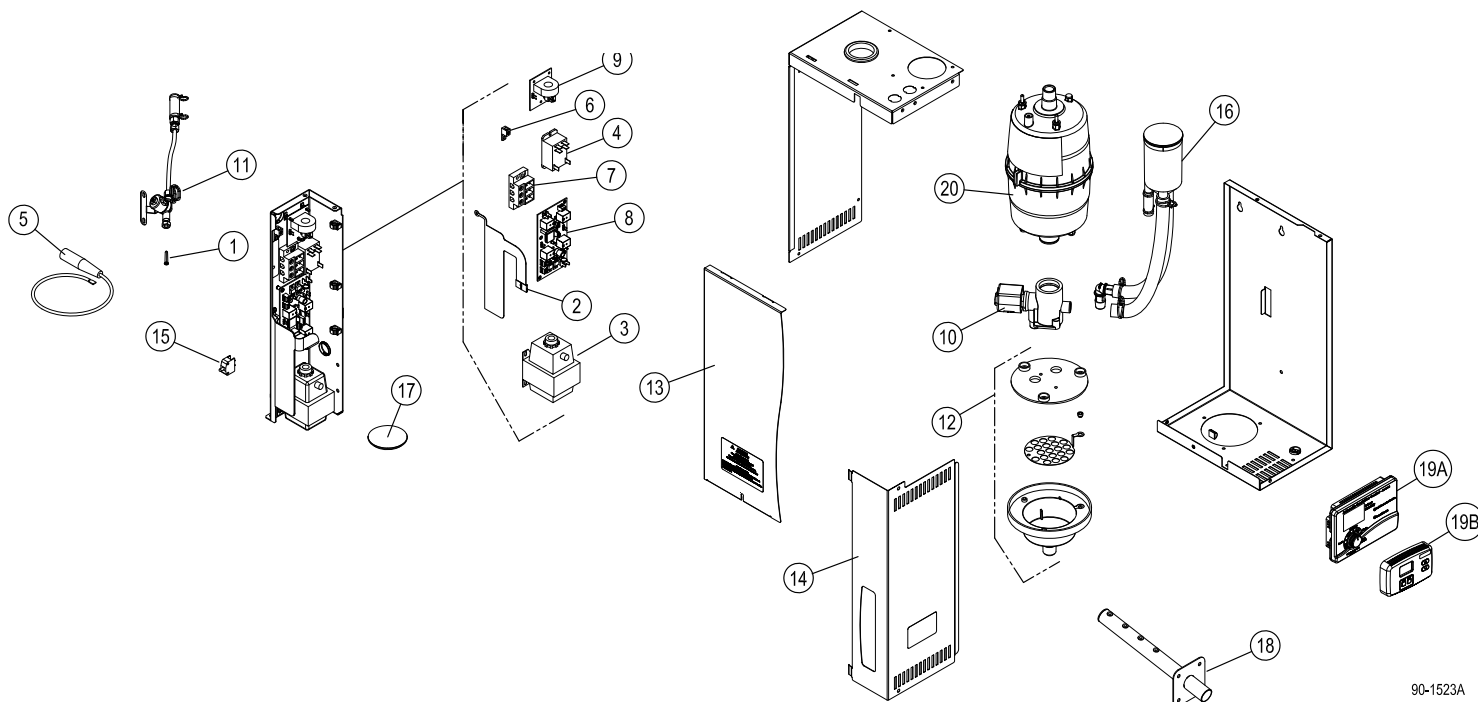
NO.	PART NAME	QTY/CTN	MODEL 558/550A/550	MODEL 568/560A/560
			PART NO.	PART NO.
1	Water Panel® Evaporator	10	10	35
2	Scale Control Insert	(4217-10) (4236-12)	4217	4236
3	Water Distribution Tray	1	4218	4277
4	Base	1	4219	4262
5	End Panel	1	4220	4263
6	Duct Panel	1	4221	4264
6	Duct Panel for Integral Damper	1	4526	N/A
7	Cover With Latch And Label	1	4222	4265
8	Drain Spud	6	4223	4223
9	Water Solenoid Valve (24 Volt)	1	4040	4040
10	In-Line Strainer	12	4004	4004
11	Saddle Valve	1	4001	4001
12	Orifice (Yellow)	144 (12-12 pks.)	4231	4231
13	Feed Tube with Strainer, Orifice, Compression Sleeve and Nut	1	4226	4266
14	Transformer	1	4010	4010
15A	Automatic Humidifier Control	1	56	56
15B	Manual Humidistat	1	4655	4655
16	Nozzle	1	4184	4184
17	Cover Latch Spring	1	4225	4225
18	Automatic Humidifier Control Gasket	1	4305	4305
OTHER PARTS		QTY/CTN	PART NO.	PART NO.
	Outdoor Temperature Sensor	1	8052	8052
	Current Sensing Relay	1	50	50
	Saddle Valve Adapter	6	4229	4229
	Shock Arrestor	1	4280	4280
	Damper Assembly	1	4332	N/A
	Maintenance Kits (includes parts 10, 4226, 4231, 4004, 4217, 4218 and 4223)	1	4793	N/A
	Maintenance Kits (includes parts 35, 4266, 4231, 4004, 4236, 4277 and 4223)	1	N/A	4837
	Blower Activation Relay	10	4851	4851

## Model 700/700M, 768, 760A & 760 Humidifiers



BLUE/GRAY UNITS			MODEL 700	MODEL 700M
NO.	PART NAME	QTY/CTN	PART NO.	PART NO.
2B	Automatic Digital Humidifier Control	1	60	N/A
5	Transformer	1	4010	4010
15B	Power Cord (Blue/Gray)	1	4664	4664
16B	Motor (Blue/Gray)	1	4670	4670
17B	Cover (Blue/Gray)	1	4729	4729
18B	Base (Blue/Gray)	1	4732	4732
19B	Orifice Plate (Blue/Gray)	1	4735	4735
20B	Bridge	1	4736	4736
21B	Resistor Case & Manual Mode Label	1	4737	N/A
22B	Female Disconnect Assembly	1	4739	4739
23B	Relay	1	4740	4740
ALMOND UNITS			MODEL 700	MODEL 700, 768, 760A, 760
NO.	PART NAME	QTY/CTN	PART NO.	PART NO.
2A	Automatic Humidifier Control	1	N/A	56
15A	Power Cord (Almond)	1	N/A	4241
16A	Motor (Almond)	1	N/A	4237
17A	Cover (Almond)	1	N/A	4242
18A	Base (Almond)	1	N/A	4245
19A	Orifice Plate (Almond)	1	N/A	4244
20A	Bridge	1	N/A	4243
21A	Resistor Case & Manual Mode Label	1	N/A	4336
22A	Female Disconnect Assembly	1	N/A	4239
23A	Circuit Board	1	N/A	4238
24	Automatic Humidifier Control Gasket	1	N/A	4305
COMMON PARTS		QTY/CTN	PART NO.	PART NO.
1	Water Panel® Evaporator	10	35	35
3	Saddle Valve	1	4001	4001
4	In-line Strainer	12	4004	4004
6	Cork Isolator	6	4031	4031
7	Water Solenoid Valve (24 Volts)	1	4040	4040
8	Orifice (Blue)	144 (12-12 pks.)	4232	4232
9	Feed Tube with Strainer, Orifice, Compression Sleeve and Nut	1	4235	4235
10	Scale Control Insert	12	4236	4236
11	Male Disconnect Assembly	1	4240	4240
12	Water Distribution Tray	1	4246	4246
13	Fan Blade	1	4247	4247
14	Electrical Grommet	1	4249	4249
25	Name Plate Assembly	1	4968	4968
OTHER PARTS		QTY/CTN	PART NO.	PART NO.
2C	Manual Humidifier Control	1	N/A	4655
	Outdoor Temperature Sensor (only available for automatic units)	1	8052	8052
	Current Sensing Relay	1	50	50
	Saddle Valve Adapter	6	4229	4229
	Shock Arrestor	1	4280	4280
	Maintenance Kits (includes parts 35 (2), 4236, 4235, 4246, 4232 and 4004)	1	4750	4750
	Blower Activation Relay	10	4851	4851

# Model 800 Residential Steam Humidifier



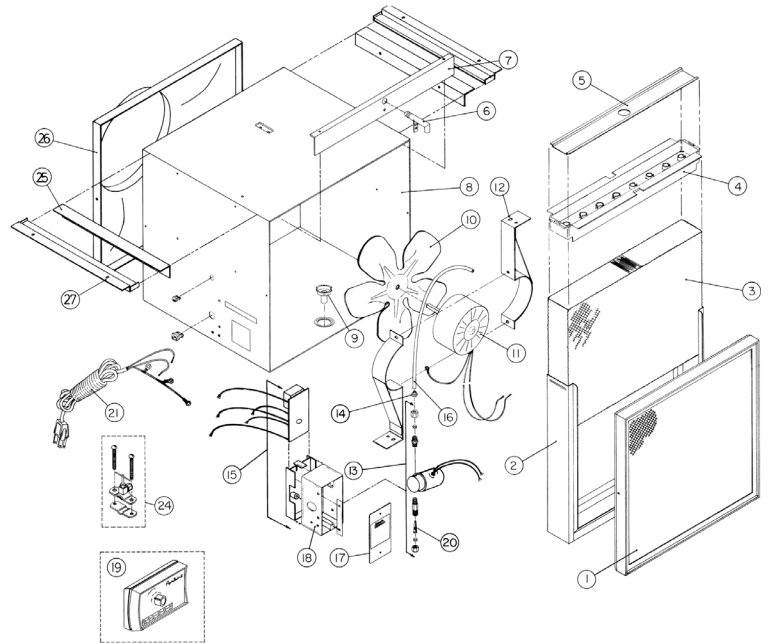
90-1523A

NO.	PART NAME	QTY/CTN	PART NO.
1	Fill Valve In-line Strainer	12	4004
2	Membrane Switch	1	4975
3A	Transformer, 120/24 VAC for 11.5 amp unit* & fill valve contained within housing	1	4976
3B	Transformer, universal for units with fill valve inlet extending from bottom of housing	1	5306
4	Power Relay	1	4977
5	Electrode Wire	1	4978
6	Ground Lug	1	4979
7A	Input Power Terminal Block 3-post for 11.5 amp unit* and fill valve contained within housing	1	4980
7B	Input Power Terminal Block 2-post for 11.5 amp unit* and fill valve inlet extending from bottom of housing	1	5307
7C	Input Power Terminal Block 2-post for 11.5/16.0 amp unit*	1	5354
8	Internal Control Circuit Board	1	4981
9	Current Sensing Circuit Board	1	4982
10	Drain Valve	1	4983
11A	Inlet Fill Valve and Water Feed System for unit with fill valve contained within housing	1	4984
11B	Inlet Fill Valve and Water Feed System for unit with fill valve inlet extending from bottom of housing	1	5309
12	Drain Cup Assembly	1	4985
13	Front Panel and Screw	1	4986
14	Electrical Access Panel and Screw	1	4987
15	Safety Interlock Switch	1	4988
16	Fill Cup and Hoses	1	4989
17	Fill Cup Cap	1	4990
18	Steam Dispersion Tube and Screws	1	4991
19A	Automatic Digital Control	1	62
19B	Digital Manual Control (Wall Mounted)	1	65
20	Steam Canister and O-Ring	6	80
21	Transformer terminal block for unit with fill valve inlet extending from bottom of housing.	1	5308
22	O-Ring for Steam Canister	6	5258
<b>OTHER PARTS</b>			
	Fan Pack	4	850
	Saddle Valve	1	4001
	Drain Trap Assembly	1	4028
	Manual Humidistat and Blower Activation Relay	1	4993
	Airflow Proving Switch	1	4592
	High Humidity Limit Switch	1	4594
	Condensate Pump (Rated for 160°F)	1	4856
	Steam Hose (6ft) and Clamps	1	4973
	Drain Hose (10 ft.) and Clamps	1	4974

\* See data label on side of humidifier to determine if unit draws 11.5 amps or 11.5/16.0 amps.

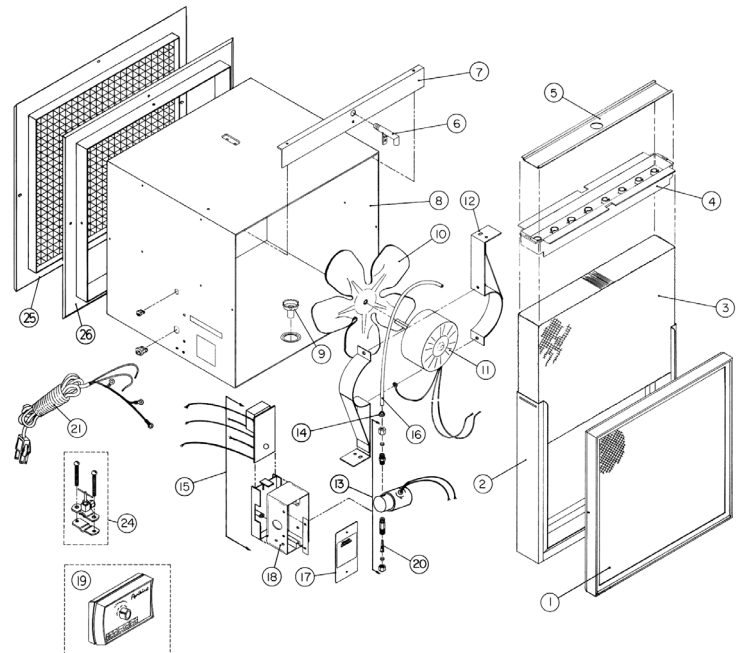
## Model 350 Humidifiers

NO.	PART NAME	QTY/CTN	PART NO.
1	Inlet Frame Almond	1	4206
	Inlet Frame Gray	1	4852
2	Scale Control Insert	12	4181
3	Water Panel® Evaporator	10	35
4	Distribution Tray	1	4182
5	Distribution Tray Cover	1	4183
6	Nozzle	1	4184
7	Baffle	1	4185
8	Housing Almond	1	4186
	Housing Gray	1	4858
9	Drain Spud	1	4187
10	Fan Blade	1	4188
11	Motor	1	4189
12	Motor Brackets	1 Set	4190
13	Solenoid Valve (Plastic Junction Box)	1	4191
14	Orifice (Blue)	144 (12-12 pks.)	4232
15	120 Volt Humidifier Control - Replaces 4013	1	4258
16	Feed Tube with Strainer, Orifice, Compression Sleeve and Nut	1	4079
17	Junction Box Cover	1	4193
18	Junction Box	1	4194
19	Humidistat	1	4655
20	In-Line Strainer	12	4004
21	Power Cord	1	4286
24	Saddle Valve	1	4001
25	Angle Support Almond	2	4813
	Angle Support Gray	2	4875
26	Outlet Transition Almond	1	4201
	Outlet Transition Gray	1	4854
27	Joist Bracket Almond	2	4202
	Joist Bracket Gray	2	4874
<b>OTHER PARTS</b>			
	Screws and Clips Almond	1	4203
	Screws and Clips Gray	1	4850
	Saddle Valve Adapter	6	4229
	Shock Arrestor	1	4280



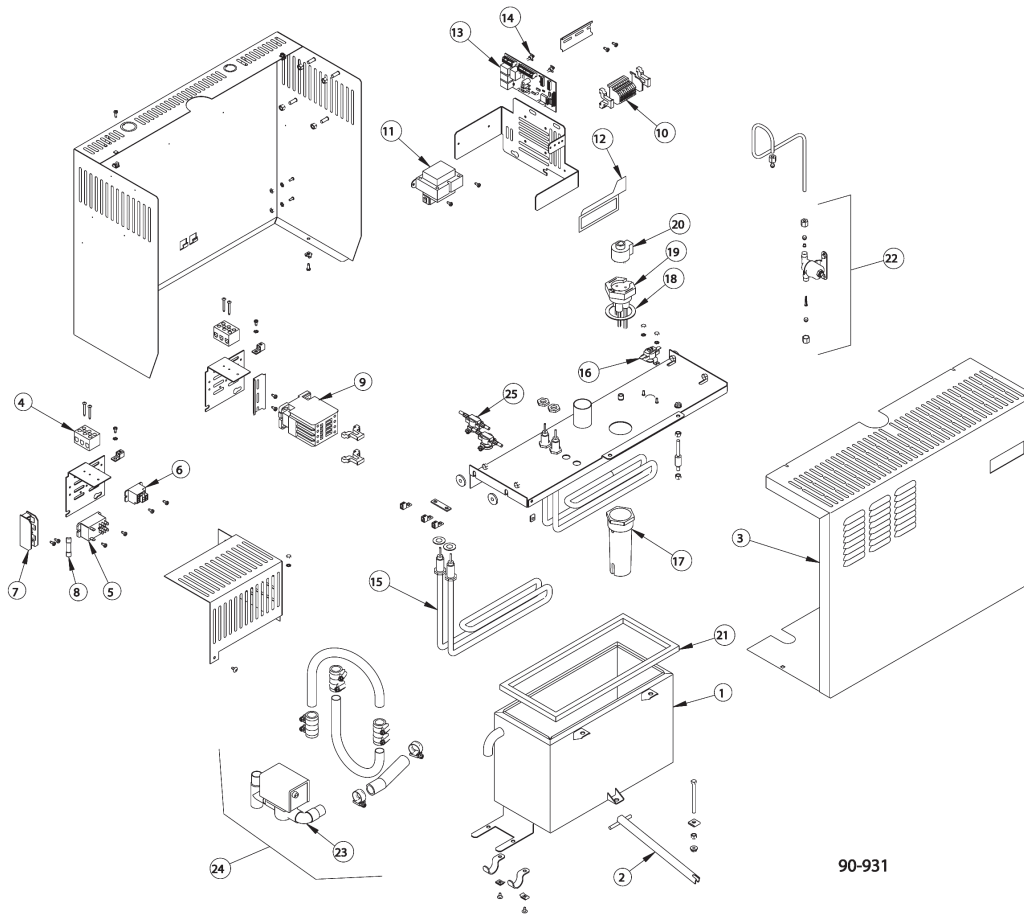
## Model 360 Humidifiers

NO.	PART NAME	QTY/CTN	PART NO.
1	Inlet Frame Almond	1	4206
	Inlet Frame Gray	1	4852
2	Scale Control Insert	12	4181
3	Water Panel® Evaporator	10	35
4	Distribution Tray	1	4182
5	Distribution Tray Cover	1	4183
6	Nozzle	1	4184
7	Baffle	1	4185
8	Housing Almond	1	4198
	Housing Gray	1	4858
9	Drain Spud	1	4187
10	Fan Blade	1	4215
11	Motor	1	4199
12	Motor Brackets	1 Set	4190
13	Solenoid Valve (Plastic Junction Box)	1	4191
14	Orifice (Blue)	144 (12-12 pks.)	4232
15	120 Volt Humidifier Control - Replaces 4013	1	4258
16	Feed Tube with Strainer, Orifice, Compression Sleeve and Nut	1	4079
17	Junction Box Cover	1	4193
18	Junction Box	1	4194
19	Humidistat	1	4655
20	In-Line Strainer	12	4004
21	Power Cord	1	4286
24	Saddle Valve	1	4001
25	Outlet Grille Almond	1	4204
	Outlet Grille Gray	1	4859
26	Inlet Wall Frame Almond	1	4205
	Inlet Wall Frame Gray	1	4860
<b>OTHER PARTS</b>			
	Screws and Clips Almond	1	4203
	Screws and Clips Gray	1	4850
	Saddle Valve Adapter	6	4229
	Shock Arrestor	1	4280





**Model 1150, 1160 & 1180 Steam Humidifiers**

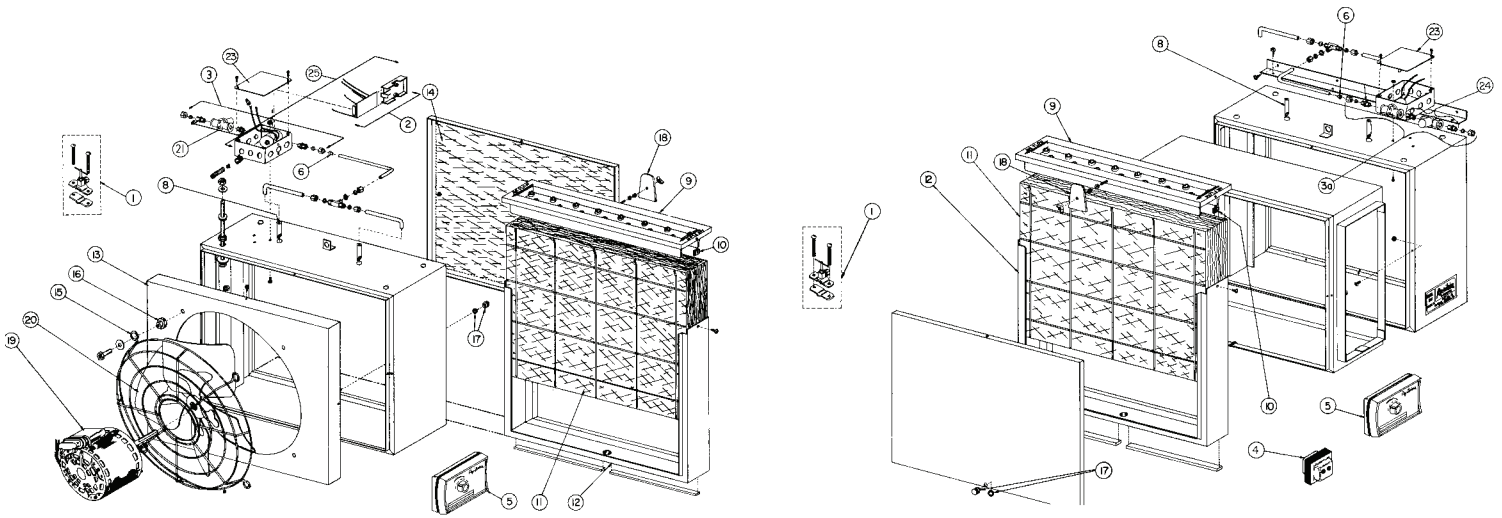


90-931

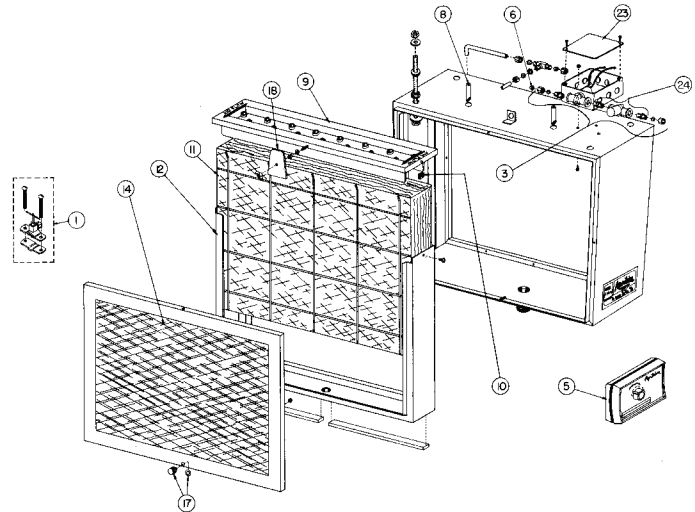
NO.	PART NAME	QTY/CTN	PART NO.
1	Steam Chamber, 1150	1	4560
	Steam Chamber, 1160	1	4561
	Steam Chamber, 1180	1	4627
2	Quick Release Handle, 1150	1	4562
	Quick Release Handle, 1160	1	4563
	Quick Release Handle, 1180	1	4628
3	Cover 1150 & 1160	1	4564
	Cover 1180	1	4629
4	Terminal Block	1	4565
5	Relay, AC Safety (1150)	1	4566
6	Relay, DC Control (1150)	1	4567
7	Fuse Holder (1150)	1	4568
8	Fuse, 25 Amp (1150)	1	4569
9	Contactor (1160 & 1180)	1	4570
10	Terminal	1	4571
11	Transformer	1	4572
12	Overlay & Switch	1	4573
13	Internal Control Board	1	4574
14	Standoff	1	4575
15	Heater (1150 & 1160)	1	4576
	Heater (1180)	1	4630
16	Over-Temperature Thermostat	1	4577
17	Probe Housing	1	4578

NO.	PART NAME	QTY/CTN	PART NO.
18	Water Level Probe Gasket	1	4579
19	Water Level Probe Assy	1	4580
20	Plug	1	4581
21	Gasket, 1150 Steam Chamber	1	4582
	Gasket, 1160 Steam Chamber	1	4583
	Gasket, 1180 Steam Chamber	1	4631
22	Fill Valve	1	4584
23	Drain Valve	1	4585
24	Drain Assy	1	4587
25	Thermal Cutout	1	4595
<b>OTHER PARTS</b>			
	Wiring Harness	1	4637
	Hose, 1-1/2" Dia. (1150 & 1160)	1	4588
	Hose, 2" Dia. (1180)	1	4632
	Distribution Tube, 1-1/2" Dia x 10" (1150)	1	4589
	Distribution Tube, 1-1/2" Dia x 16" (1160)	1	4590
	Distribution Tube, 2" Dia x 28" (1180)	1	4633
	Duct Plate (1150 & 1160)	1	4591
	Duct Plate (1180)	1	4636
	Airflow Switch	1	4592
	Automatic Steam Humidifier Control	1	57
	Hanging Bracket	1	4593
	High Humidity Limit Switch	1	4594

**Model 1120, 1130 & 1140 Humidifiers**



NO.	PART NAME	QTY/CTN	MODEL NO.	PART NO.
1	Saddle Valve	1	1120-1130-1140	4001
2	120 Volt Humidifier Control	1	1120	4258
3	Solenoid Valve	1	1120-1140	4026
3A	Solenoid Valve	1	1130	4051
4	Transformer	1	1130	4010
5	Humidistat	1	1120-1130-1140	4655
6	Orifice (Green)	12	1120-1130-1140	4104
8	Extension Tube	2	1120-1130-1140	4106
9	Water Distribution Tray	1	1120-1130-1140	4107
10	Tinnerman Clip	2	1120-1130-1140	4108
11	Water Panel® Evaporator	1	1120-1130-1140	1200
12	Water Panel Frame	1	1120-1130-1140	4109
13	Motor Mounting Plate	1	1120	4111
14	Grille	1	1120-1140	4113
15	Fan Guard	1	1120	4115
16	Isolator	4	1120	4116
17	Knob and Retainer	1	1120-1130-1140	4117
18	Locking Device	1	1120-1130-1140	4118
19	Motor	1	1120	4122
20	Fan Blade	1	1120	4123
21	Commercial Strainer	1	1120-1130-1140	4227
<b>OTHER PARTS</b>				
	Fuse	6	1101	4152
	Limit Switch	1	1101	4228



**Aprilaire®**

P.O. Box 1467 • Madison, WI 53701-1467 • Phone: 800/334-6011 • Fax: 608/257-4357 • www.aprilairepartners.com