

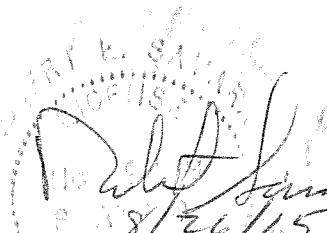
THE UNIT MODELS LISTED BELOW WERE ANALYZED TO MEET THE REQUIREMENTS OF THE FLORIDA BUILDING CODE 5TH EDITION (2014) AND THE ASCE 7-10 WIND ANALYSIS CODE. THE UNITS AND CONNECTIONS WERE ANALYZED FOR 186 MPH WIND SPEED AT 60 FEET ABOVE GROUND FOR CATEGORY III AND IV STRUCTURES.

Carrier Model Number	38MAQB09---1	38MAQB12---1	38MAQB09---3	38MAQB12---3	38MAQB18---3	38MAQB24---3	38MAQB30---3	
Bryant Model Number	538PAQ009RBMA	538PAQ012RBMA	538PEQ009RBMA	538PEQ012RBMA	538PEQ018RBMA	538PEQ024RBMA	538PEQ030RBMA	
ICP Model Number	N/A	N/A	N/A	N/A	N/A	N/A	N/A	
System Size	9k	12k	9k	12k	18k	24k	30k	
(Voltage)	(115V)	(115V)	(208-230 V)	(208-230 V)	(208-230 V)	(208-230 V)	(208-230 V)	
Outdoor Unit	Dimensions							
	Height	in (mm)	21.97(558)	21.97(558)	21.97(558)	27.56(700)	31.89(810)	31.89(810)
	Width	in (mm)	31.89(810)	31.89(810)	31.89(810)	33.27(845)	37.20(945)	37.20(945)
	Depth	in (mm)	12.2(310)	12.2(310)	12.2(310)	12.60(320)	15.55(395)	15.55(395)
	Weight-Gross	lbs (kg)	88.18(40.0)	88.18(40.0)	88.18(40.0)	111.33(50.5)	149.25(67.7)	169.76(77.0)
	Weight-Net	lbs (kg)	82.45(37.4)	82.45(37.4)	82.45(37.4)	102.51(46.5)	137.57(62.4)	157.63(71.5)

Carrier Model Number	38MGQC18---3	38MGQD27---3	38MGQF36---3		
Bryant Model Number	538TEQ018RCMA	538TEQ027RDMA	538TEQ036RFMA		
ICP Model Number	N/A	N/A	N/A		
System Size	18k	27k	36k		
Voltage	(208-230 V)	(208-230 V)	(208-230 V)		
Outdoor Unit	Dimensions				
	Height	in (mm)	27.56(700)	31.89(810)	31.89(810)
	Width	in (mm)	33.27(845)	37.20(945)	37.20(945)
	Depth	in (mm)	12.60(320)	15.55(395)	15.55(395)
	Weight-Net	lbs (kg)	105.82(48)	143.29(65)	158.72(72)
	Weight-Gross	lbs (kg)	114.63(52)	154.76(70.2)	169.75(77)

Carrier Model Number (cooling only)	38MFC009---1	38MFC012---1	38MFC012---3	38MFC018---3	38MFC022---3		
Carrier Model Number (heat pump)	38MFQ009---1	38MFQ012---1	38MFQ012---3	38MFQ017---3	38MFQ022---3		
Bryant Model Number (cooling only)	DACMA-S109-1AAA	DACMA-S112-1AAA	DACMA-S112-3AAA	DACMA-S118-3AAA	DACMA-S122-3AAA		
Bryant Model Number (heat pump)	DAQMA-S109-1AAA	DAQMA-S112-1AAA	DAQMA-S112-3AAA	DAQMA-S117-3AAA	DAQMA-S122-3AAA		
ICP Model Number (cooling only)	DACMA-S109-1AAA	DACMA-S112-1AAA	DACMA-S112-3AAA	DACMA-S118-3AAA	DACMA-S122-3AAA		
ICP Model Number (heat pump)	DAQMA-S109-1AAA	DAQMA-S112-1AAA	DAQMA-S112-3AAA	DAQMA-S117-3AAA	DAQMA-S122-3AAA		
System size	9k	12k	12k	18/17k	22k		
System Voltage	115V	115	208-230 V	208-230 V	208-230 V		
Outdoor Unit	Dimensions						
	Height	in (mm)	21.2 (540)	21.2 (540)	23.2 (590)	27.6 (700)	
	Width	in (mm)	30.7 (780)	30.7 (780)	30.7 (780)	29.9 (760)	33.3 (845)
	Depth	in (mm)	9.8 (250)	9.8 (250)	9.8 (250)	11.2 (285)	12.6 (320)
	Heat Pump						
	Weight - Gross/Net	lbs (kg)	75.0 (34) / 70.5 (32)	75.0 (34) / 70.5 (32)	75.0 (34) / 70.5 (32)	88.2 (40) / 82.7 (37.5)	111.3 (50.5) / 103.6 (47)
	Cooling Only	lbs (kg)	62.8 (28.5) / 58.4 (26.5)	66.1 (30) / 61.7 (28)	66.1 (30) / 61.7 (28)	81.6 (37) / 76.0 (34.5)	105.8 (48) / 98.1 (44.5)

Carrier Model Number	38GRQB09---3	38GRQB12---3	38GRQB18---3		
Bryant Model Number	538FEQ009RBGA	538FEQ012RBGA	538FEQ018RBGA		
ICP Model Number	DLC AHB09K1A	DLC AHB12K1A	DLC AHB18K1A		
System size	9K	12K	18K		
(Voltage)	(208-230 V)	(208-230 V)	(208-230 V)		
Outdoor Unit	Dimensions				
	Height	in	23.5	23.5	31.1
	Width	in	35.4	35.4	38.6
	Depth	in	14.9	14.9	16.8
	Weight-Gross	lbs	105.8	103.6	152.1
	Weight-Net	lbs	99.2	97	141.1


 Robert E. Samara
 8/26/15

S-1

**CARRIER, BRYANT AND ICP
DUCTLESS SPLIT SYSTEMS UP TO 30 K**

Job No: 15-22
Date: 08-13-2015

MODELS LIST

ROBERT E. SAMARA P.E., P.A.
 email: samara@ppsenglnc.com
 Consulting Engineers
 Structural PE # 19649
 4675 PONCE de LEON BLVD, #303
 CORAL GABLES, FL 33146
 Ph: 305-662-1916 Fax: 305-662-2491

THE UNIT MODELS LISTED BELOW WERE ANALYZED TO MEET THE REQUIREMENTS OF THE FLORIDA BUILDING CODE 5TH EDITION (2014) AND THE ASCE 7-10 WIND ANALYSIS CODE. THE UNITS AND CONNECTIONS WERE ANALYZED FOR 186 MPH WIND SPEED AT 60 FEET ABOVE GROUND FOR CATEGORY III AND IV STRUCTURES.

Outdoor Model #	RAS-09EACV-UL		RAS-12EACV-UL		RAS-15EACV-UL		RAS-17EACV-UL		RAS-22EACV-UL		
	RAS-09EAV-UL		RAS-12EAV-UL		RAS-15EAV-UL		RAS-17EAV-UL		RAS-22EAV-UL		
	RAS-09EAV2-UL		RAS-12EAV2-UL		RAS-15EAV2-UL		RAS-17EAV2-UL		RAS-22EAV2-UL		
System Size		9k		12k		15k		17k		22k	
System Voltage		208-230		208-230		208-230		208-230		208-230	
Outdoor Unit	Dimensions										
	Height	in (mm)	21-11/16 (550)		21-11/16 (550)		21-11/16 (550)		21-11/16 (550)		
	Width	in (mm)	30-11/16 (780)		30-11/16 (780)		30-11/16 (780)		30-11/16 (780)		
	Depth	in (mm)	11-7/16 (290)		11-7/16 (290)		11-7/16 (290)		11-7/16 (290)		
	Weight - Gross/Net	lbs (kg)	88 (40)/82 (37)		95 (43)/88 (40)		98 (44) /91 (41)		98 (44) /91 (41)		100 (45) /93 (42)

Carrier Model Number	38MBQB36---3		
Bryant Model Number	538REQ036RBMA		
ICP Model Number	N/A		
System Size	36K		
System Voltage	208-230V		
Dimensions			
Outdoor Unit	Height	in(mm)	31.89(810)
	Width	in(mm)	37.20(945)
	Depth	in(mm)	15.55(395)
	Weight-Gross		182.98(83)
	Weight-Net	lbs(kg)	160.94(73)

Carrier Model Number		38GJQC18---3		38GJQD24---3		38GJQF30---3	
Bryant Model Number		538KEQ018RCGA		538KEQ024RDGA		538KEQ030RFGA	
ICP Model Number		DLCBHR18K1A		DLCBHR24K1A		DLCBHR30K1A	
System size		18		24		30	
Voltage		208-230/1/60		208-230/1/60		208-230/1/60	
Outdoor unit	Height (H)	in	27.6	31.1	31.1		
	Width (W)	in	37.6	38.6	38.6		
	Depth (D)	in	15.6	16.8	17.3		
	Weight-Net	lbs	114.7	153.2	145.5		
	Packing						
	Height	in	29.5	33.7	33.7		
	Width	in	40.5	42.6	42.6		
	Depth	in	18	19.2	19.2		
	Weight-Gross	lbs	124.6	164.3	154.3		

Robert E. Samara
8/26/15

S-2

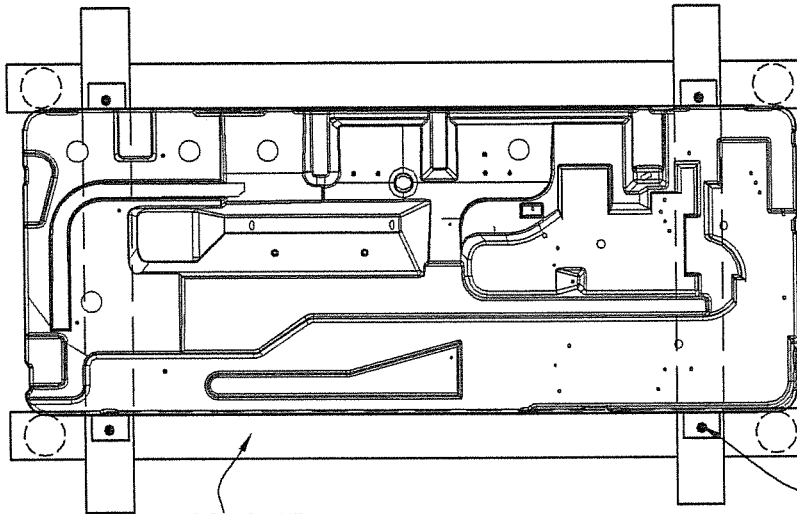
CARRIER, BRYANT AND ICP DUCTLESS SPLIT SYSTEMS UP TO 30 K

Job No: 15-22
Date: 08-13-2015

MODELS LIST

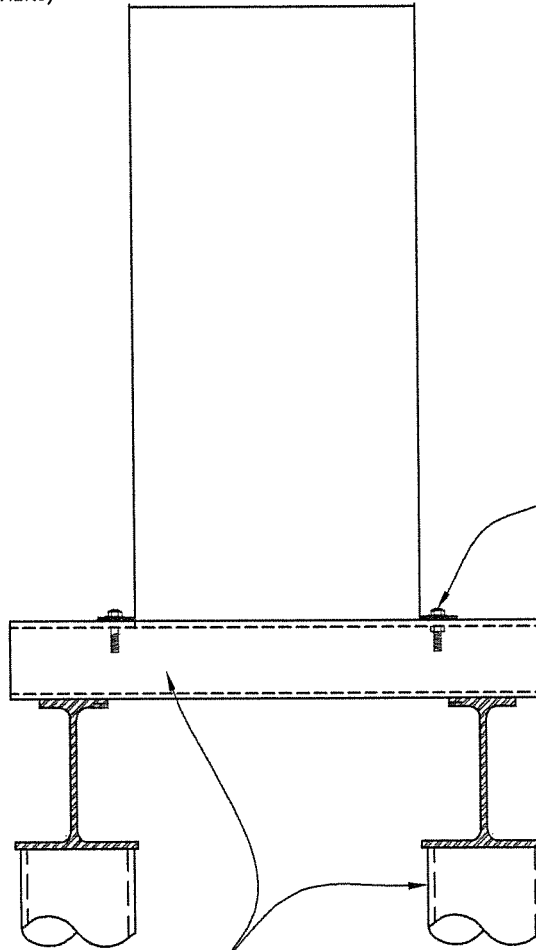
ROBERT E. SAMARA P.E., P.A.
email: rsamara@ppsenginc.com
Consulting Engineers
Structural PE # 19649

4675 PONCE de LEON BLVD. #303
CORAL GABLES, FL 33146
Ph: 305-662-1916 Fax: 305-662-2491



ROOF STAND
(BY OTHERS)

(4) SS 1/2" Ø x 1-1/2" LG
THRU BOLTS w/ SS WASHERS



(4) SS 1/2" Ø x 1-1/2" LG
THRU BOLTS w/ SS WASHERS

ROOF STAND
(BY OTHERS)

ROOF STAND DETAIL

Robert E. Samara
8/26/15

S-8

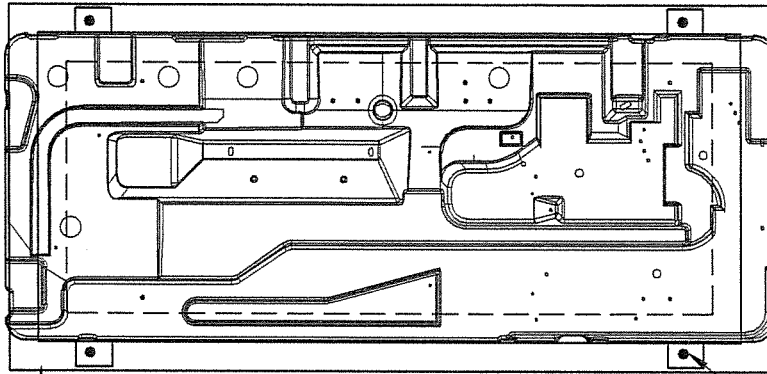
**CARRIER, BRYANT AND ICP
DUCTLESS SPLIT SYSTEMS UP TO 30 K**

Job No: 15-22
Date: 08-13-2015

ROOF STAND ATTACHMENT LOCATION PLAN

ROBERT E. SAMARA P.E., P.A.
email: samara@ppsenginc.com
Consulting Engineers
Structural PE # 19649

4675 PONCE DE LEON BLVD. #303
CORAL GABLES, FL 33146
Ph: 305-662-1916 Fax: 305-662-2491



(4) 3/8" X 3" LG
LAG BOLTS w/ WASHERS

PT WOOD CURB
(BY OTHERS)

CAULK AROUND PERIMETER
OF BASE PAN

1/2"

(4) 3/8" X 3" LG
LAG BOLTS w/ WASHERS

PT WOOD CURB
(BY OTHERS)

WOOD CURB DETAIL

Robert E. Samara
8/26/15

S-9

**CARRIER, BRYANT AND ICP
DUCTLESS SPLIT SYSTEMS UP TO 30 K**

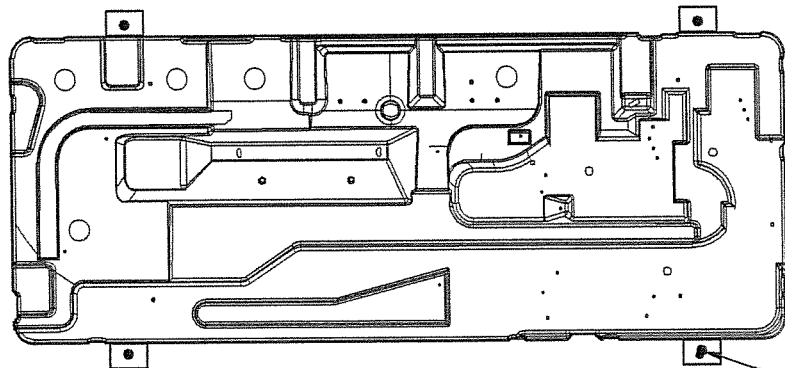
Job No: 15-22
Date: 07-15-2015

WOOD CURB ATTACHMENT LOCATION PLAN

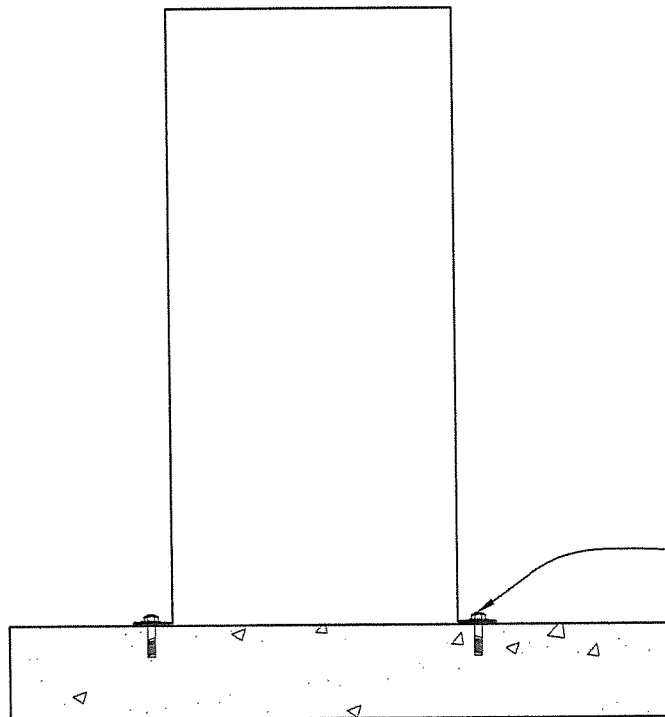


ROBERT E. SAMARA P.E., P.A.
email: samara@ppsenginc.com
Consulting Engineers
Structural PE # 19649

4675 PONCE de LEON BLVD. #303
CORAL GABLES, FL 33146
Ph: 305-662-1916 Fax: 305-662-2491



(4) SS 1/4" Ø x 3" LG
POWERS WEDGE BOLT
HEAVY DUTY ANCHORS
OR EQUAL.



(4) SS 1/4" Ø x 3" LG
POWERS WEDGE BOLT
HEAVY DUTY ANCHORS
OR EQUAL.

CONCRETE DETAIL

Robert E. Samara
8/26/15

S-10

**CARRIER, BRYANT AND ICP
DUCTLESS SPLIT SYSTEMS UP TO 30 K**

Job No: 15-22
Date: 07-15-2015

CONCRETE ATTACHMENT LOCATION PLAN



ROBERT E. SAMARA, P.E., P.A.
email: samara@rpsengr.com
Consulting Engineers
Structural PE # 19649

4675 PONCE de LEON BLVD, #303
CORAL GABLES, FL 33146
Ph: 305-662-1916 Fax: 305-662-2491